

CLAMCO
CORPORATION

Your one source for packaging systems since 1946



770 SERIES

**SEMI-AUTOMATIC
L-SEALERS**

AFFORDABLE VERSATILITY FOR MAXIMUM EFFICIENCY

The 770 L Sealers offer an outstanding package of standard features and are available in a wide variety of seal area sizes and option packages for effective selection of the best shrink packaging machinery for the job intended. With the 770 Series, you can truly achieve maximum cost effectiveness in the purchase of your packaging system.

Standard Features:

- Microprocessor controlled heat cycle with temperature compensation
- Film burn off control
- Height adjustable seal head with film clamps
- Adjustable package tray
- Adjustable seal pads
- Pinwheel perforator or impulse hole punch
- Designed to seal most polyolefin, polyethylene, and PVC shrink films
- Seal area sizes from 15" x 15" up to 30" x 60"
- Unitized film separator tray and film cradle with adjustable brake
- One year limited warranty
- Operates on 120V up to 30" x 36" sealing area, larger operate on 220V, single phase



Model 850 Series Heat Shrink Tunnel

Optional Features:

- Heavy duty console stand with casters and levelers
- Magnetic hold down, featuring two adjustable magnets
- Power takeaway conveyor
- Scrap take up wheel
- Electric hole punch

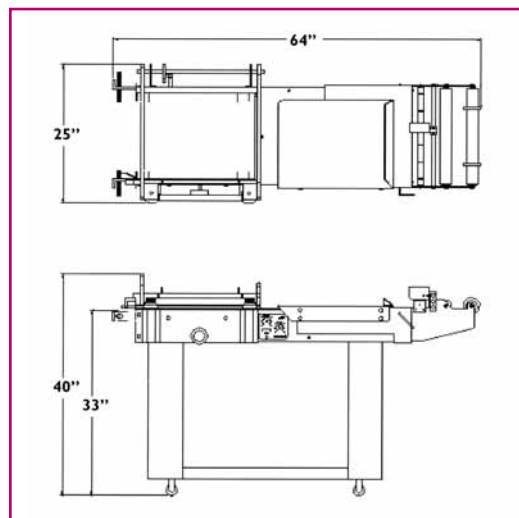
Other Features:

- Intermediate production level machinery
- Heavy gauge steel construction
- Made in USA
- Export wiring available

Specifications:

Seal areas include but not limited to:

- 15" x 15" – 38 cm x 38 cm
- 15" x 20" – 38 cm x 51 cm
- 15" x 36" – 38 cm x 92 cm
- 20" x 20" – 51 cm x 51 cm
- 20" x 36" – 51 cm x 92 cm
- 20" x 48" – 51 cm x 122 cm
- 20" x 60" – 51 cm x 152 cm
- 30" x 36" – 76 cm x 92 cm
- 30" x 48" – 76 cm x 122 cm
- 30" x 60" – 76 cm x 152 cm



CLAMCO
CORPORATION

Your one source for
packaging systems since 1946

12900 Plaza Drive, Cleveland, OH 44130

1-800-299-1655 216-267-1911

Fax: 216-267-8713

www.clamcocorp.com

e-mail: info@clamcocorp.com

Distributor: